

# Senior



# Patterns

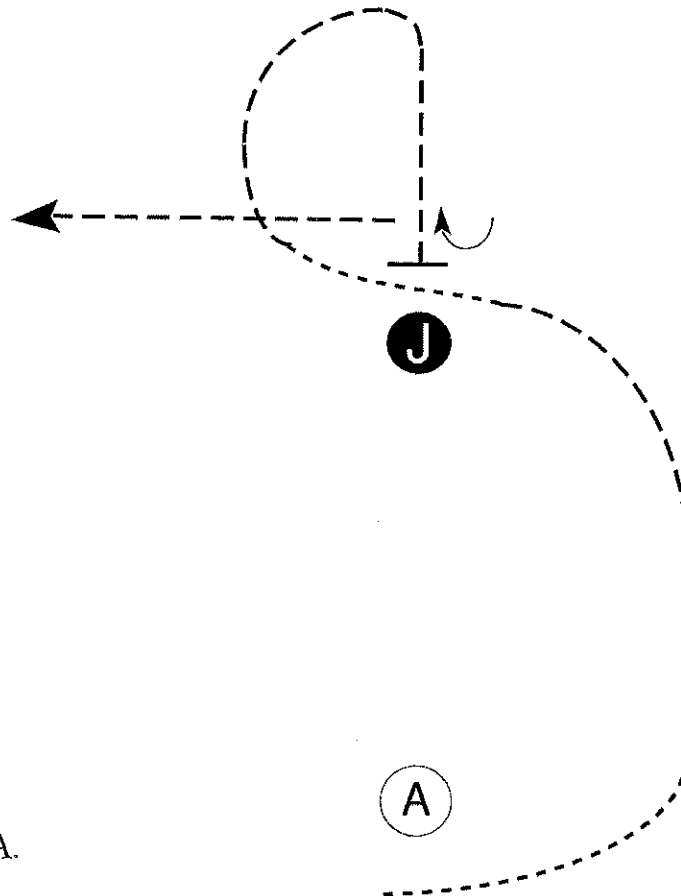
# Berrien County Youth Fair

Showmanship - Saddle Seat - 1044-1045 (Sr. Exhibitor)

Show Date: 2019

w w w . H o r s e S h o w P a t t e r n s . c o m

w w w . H o r s e S h o w P a t t e r n s . c o m



Be ready at A.

1. Walk approximately 2 horse lengths from A.
2. Trot in a half circle until just before Judge.
3. Break to walk and walk past Judge.
4. Trot in a half circle and straight to Judge as shown.
5. Stop and set up for inspection.
6. When dismissed, perform a 1/4 turn.
7. Trot to exit.

Follow the instructions of your ring steward.

|        |                |
|--------|----------------|
| Walk   | -----          |
| Trot   | - - - - -      |
| Back   | ← 3333<br>3333 |
| Marker | Ⓟ              |
| Judge  | Ⓝ              |

[S/1-43]

Pattern Provided by:

*BCYF Equine Committee*

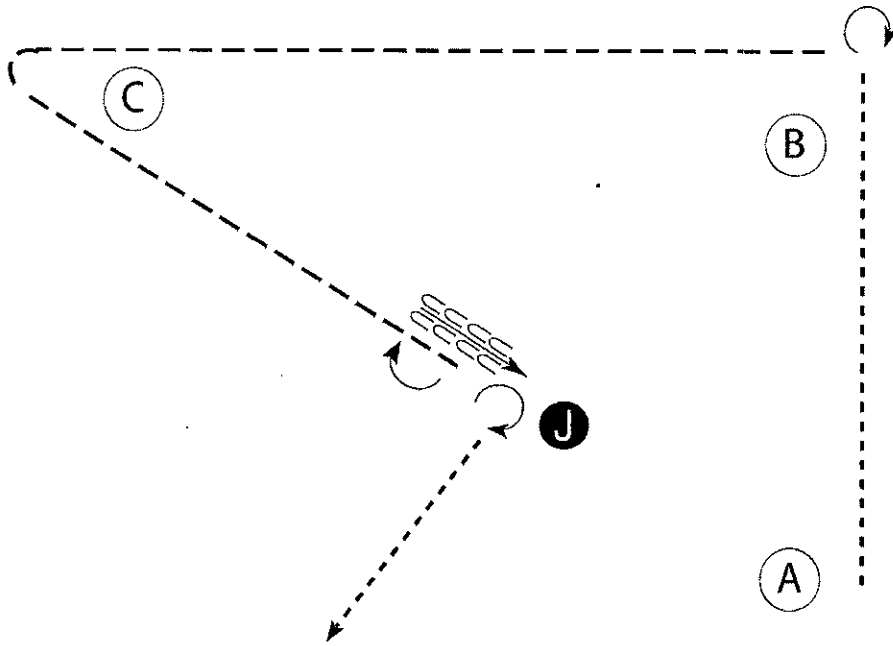
# Berrien County Youth Fair

Showmanship-Western Horses/Ponies - 1048-1049-1050 (Sr. Exhibitor)

Show Date: 2019

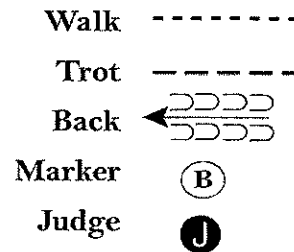
w w w . H o r s e S h o w P a t t e r n s . c o m

w w w . H o r s e S h o w P a t t e r n s . c o m



Be ready at A.

1. Walk to and past B.
2. Turn 270 degrees.
3. Trot to and around C.
4. When 2 horse lengths from the judge, stop.
5. Turn 180 degrees.
6. Back to judge and set up for inspection.
7. When dismissed, turn 270 degrees and exit at a walk.



[S/2-25]

Pattern Provided by:  
*BCYF Equine Committee*

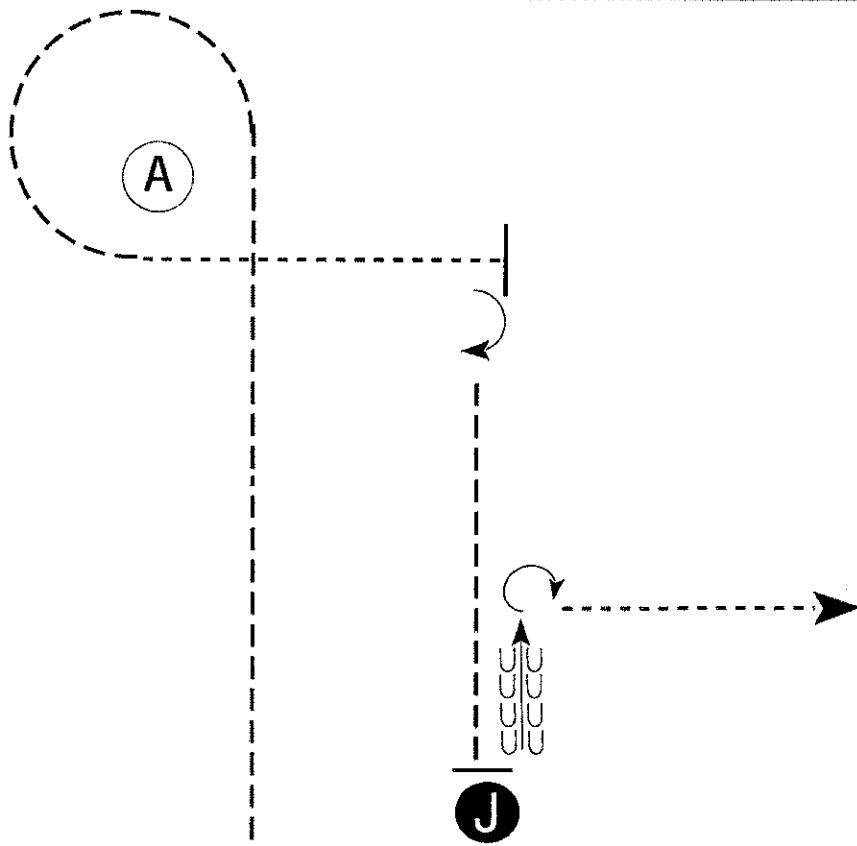
# Berrien County Youth Fair

Showmanship - Hunt Type - 1046-1047 (Sr. Exhibitor)

Show Date: 2019

w w w . H o r s e S h o w P a t t e r n s . c o m

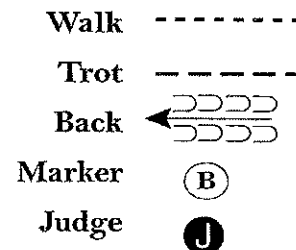
w w w . H o r s e S h o w P a t t e r n s . c o m



Be ready even with judge.

1. Trot to and around A.
2. Walk from A until even with judge.
3. Stop and perform a 90 degree turn.
4. Trot to judge.
5. Stop and set up for inspection.
6. When dismissed, back approximately 2 horse lengths.
7. Perform a 270 degree turn.
8. Walk straight away from judge.

Follow the instructions of your ring steward.



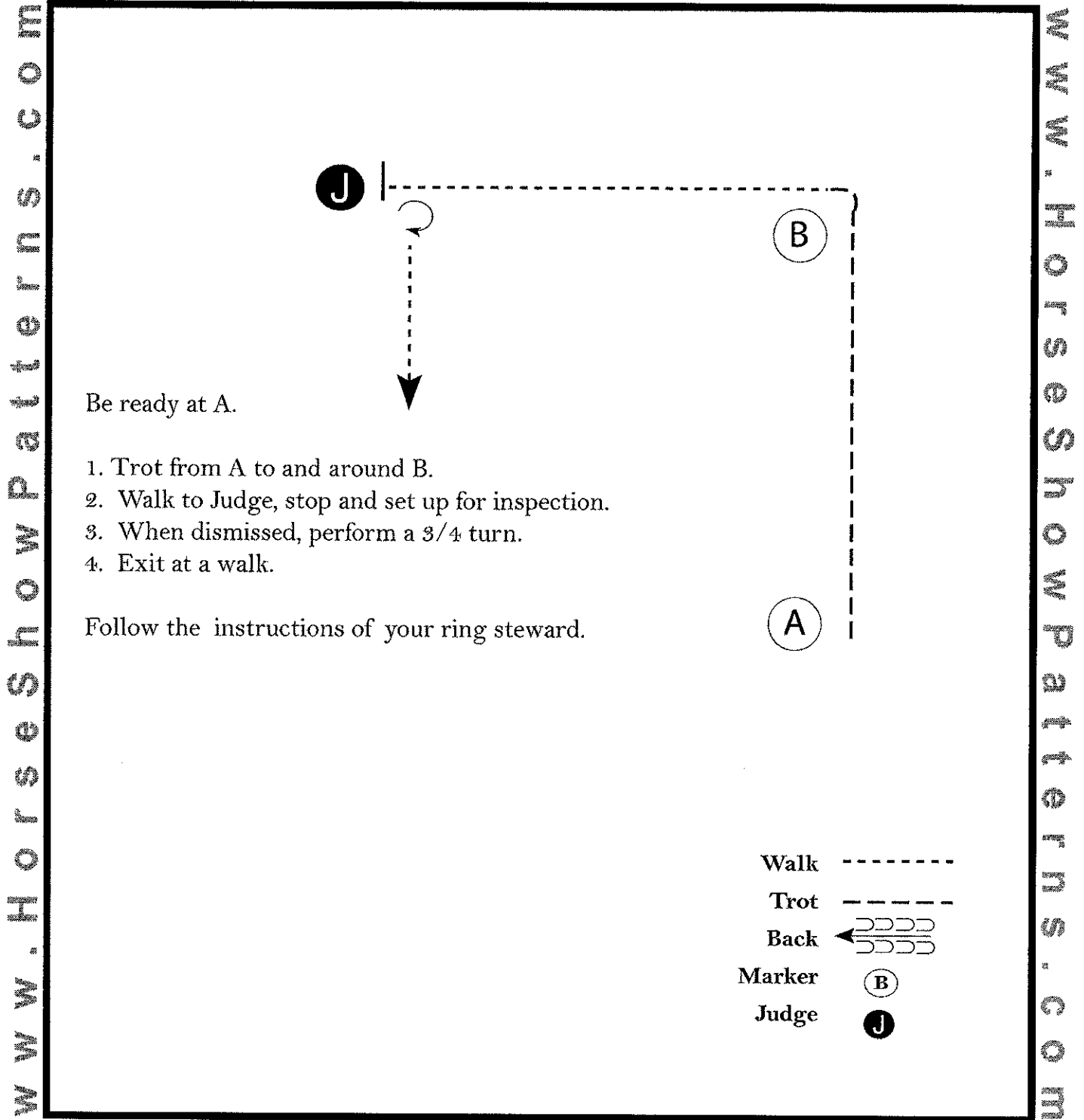
[S/2-76]

Pattern Provided by:  
*BCYF Equine Committee*

# Berrien County Youth Fair

Showmanship - Gymkhana/Novice - 1051-1052-1053 (Sr. Exhibitor)

Show Date: 2019



[S/1-38]

Pattern Provided by:

*BCYF Equine Committee*

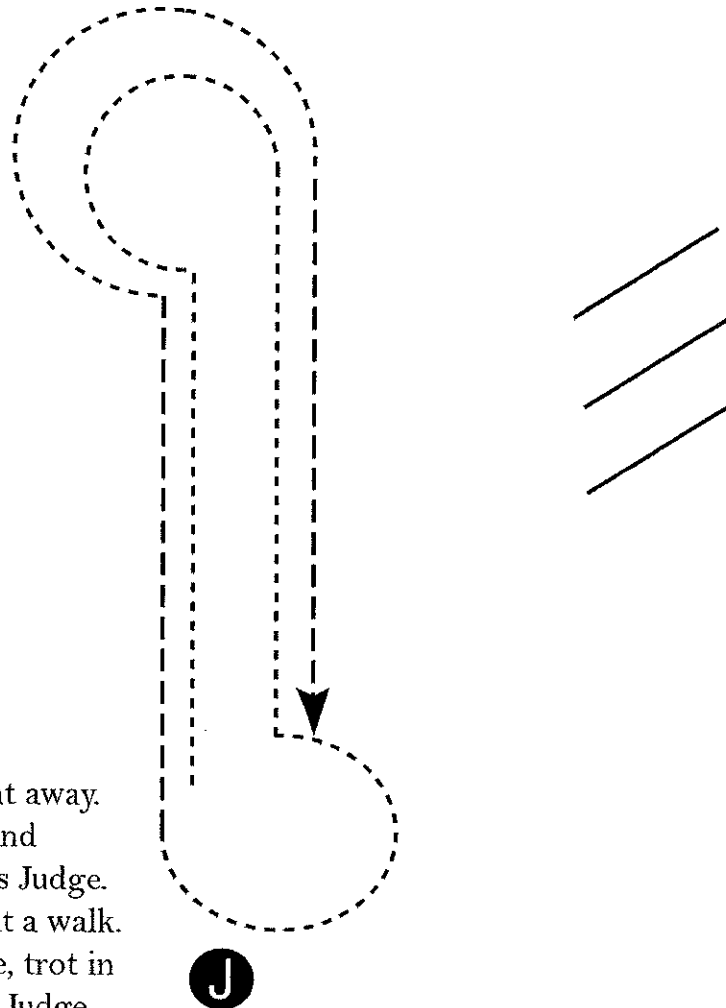
# Berrien County Youth Fair

Showmanship - Draft Type - 1055 (Jr & Sr Exhibitor)

Show Date: 2019

www.HorseShowPatterns.com

www.HorseShowPatterns.com



1. From Judge, walk straight away. Walk a "golf club" loop and continue walking towards Judge.
2. Make a "golf club" loop at a walk. When lined up with Judge, trot in a straight line away from Judge.
3. Walk a "golf club" loop and trot the remainder of the way back to Judge. Set up for inspection (may turn horse 45 degrees either direction).
4. When dismissed, trot away from Judge.

|        |           |
|--------|-----------|
| Walk   | -----     |
| Trot   | - - - - - |
| Back   | ←         |
| Marker | Ⓟ         |
| Judge  | Ⓝ         |

[DP/S-1]

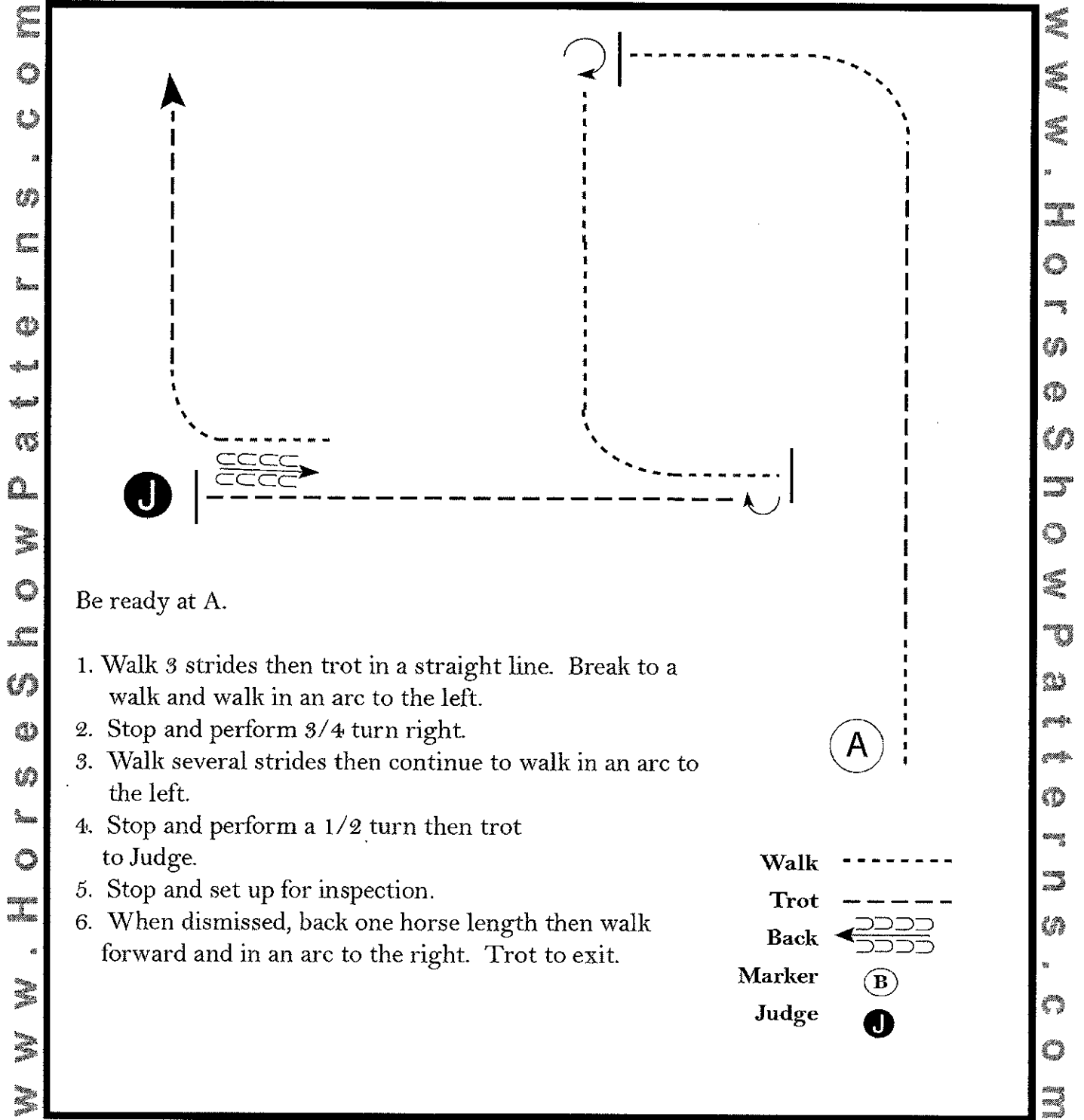
Pattern Provided by:

*BCYF Equine Committee*

# Berrien County Youth Fair

Showmanship - Ranch Horse - 1054 (Jr & Sr Exhibitor)

Show Date: 2019



[S/WT-112]

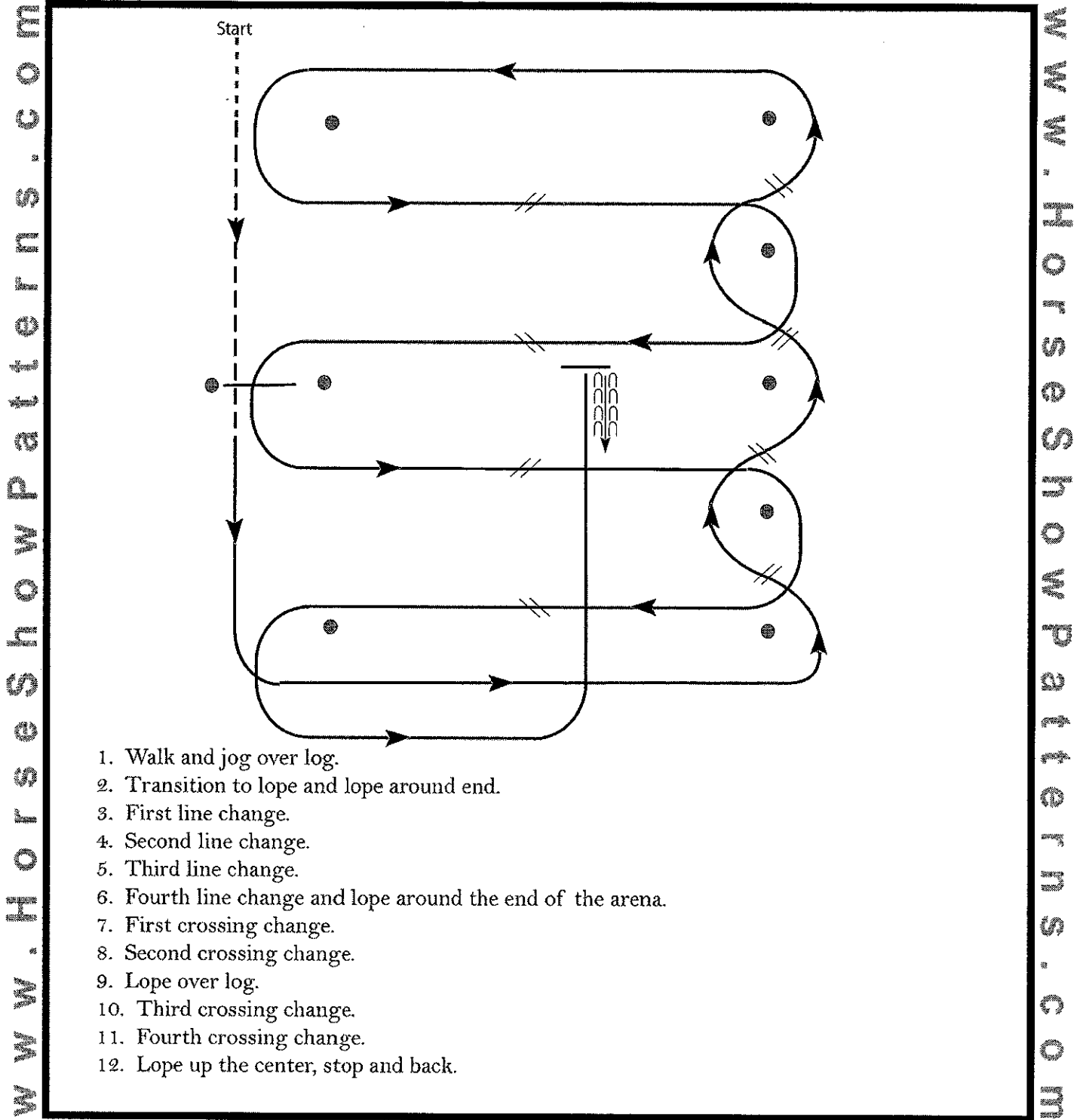
Pattern Provided by:

*BCYF Equine Committee*

# Berrien County Youth Fair

Open Western Riding - 1083 (Jr & Sr Exhibitor)

Show Date: 2019



[WR/OP-1]

Pattern Provided by:

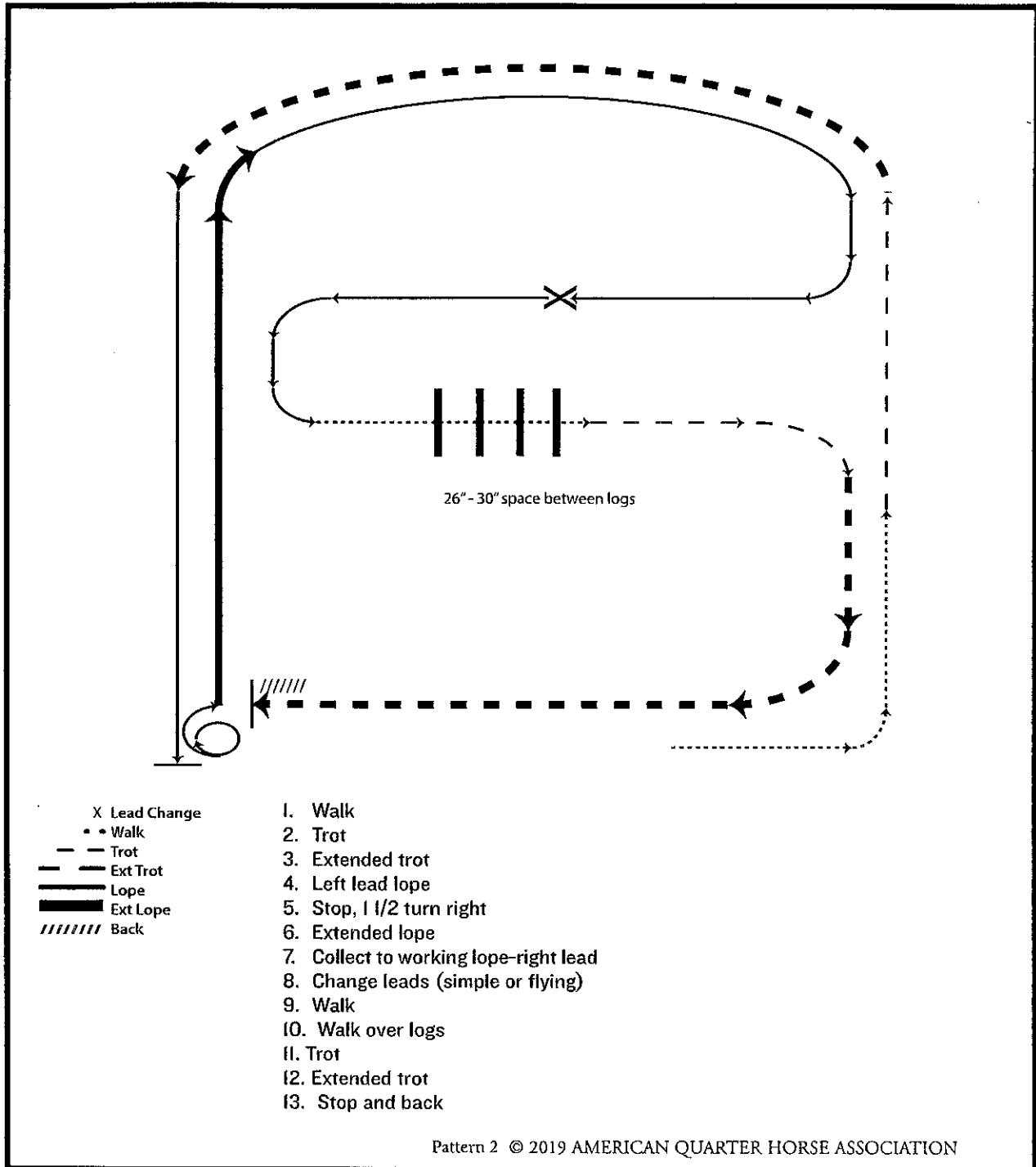
*BCYF Equine Committee*



# Berrien County Youth Fair 2019

## Open Ranchmanship - 1086

Show Date: 2019

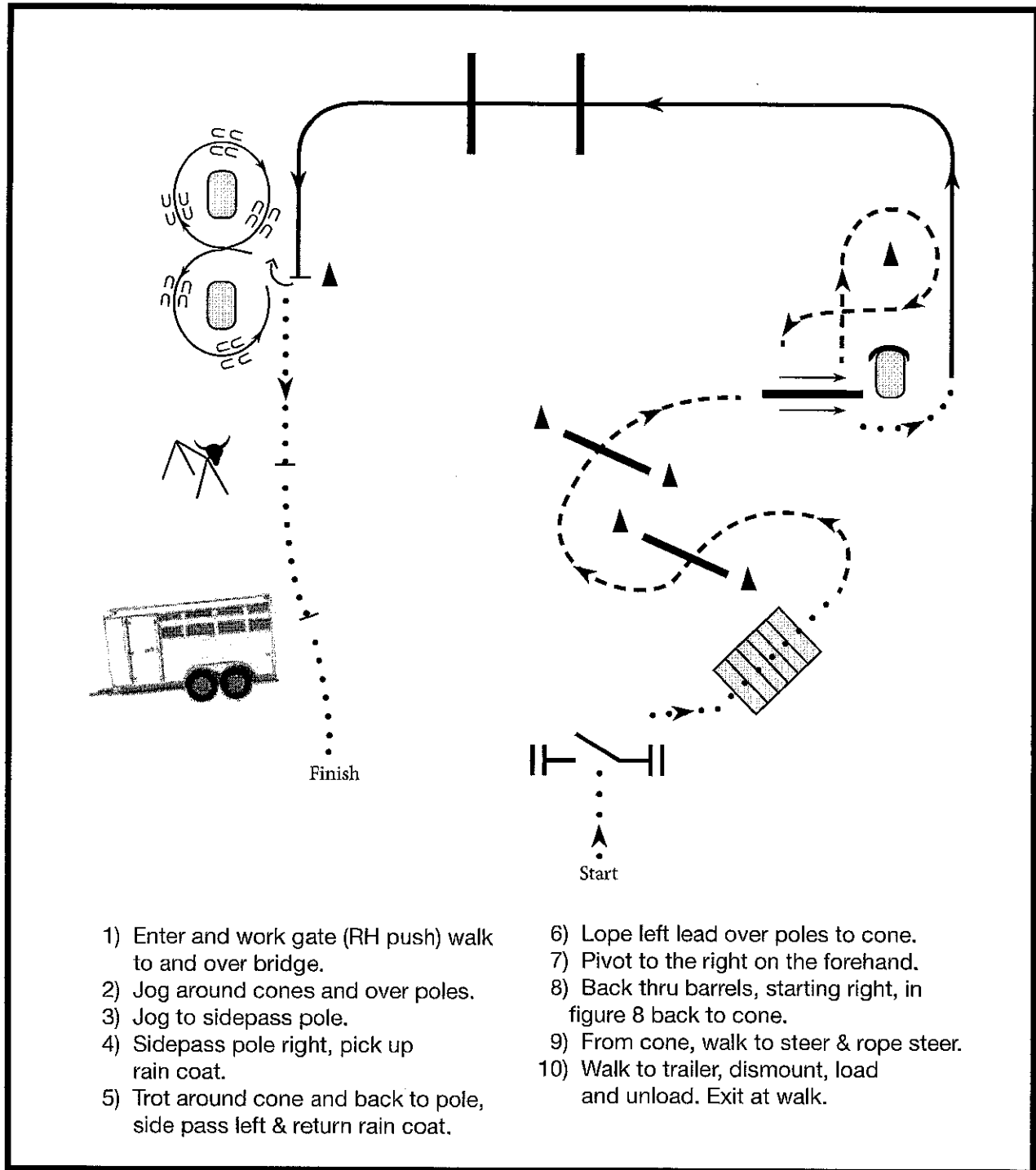


**Patterns Provided by:**  
*BCYF Equine Committee*

# Berrien County Youth Fair 2019

## Open Ranch Trail - 1087

Show Date: 2019

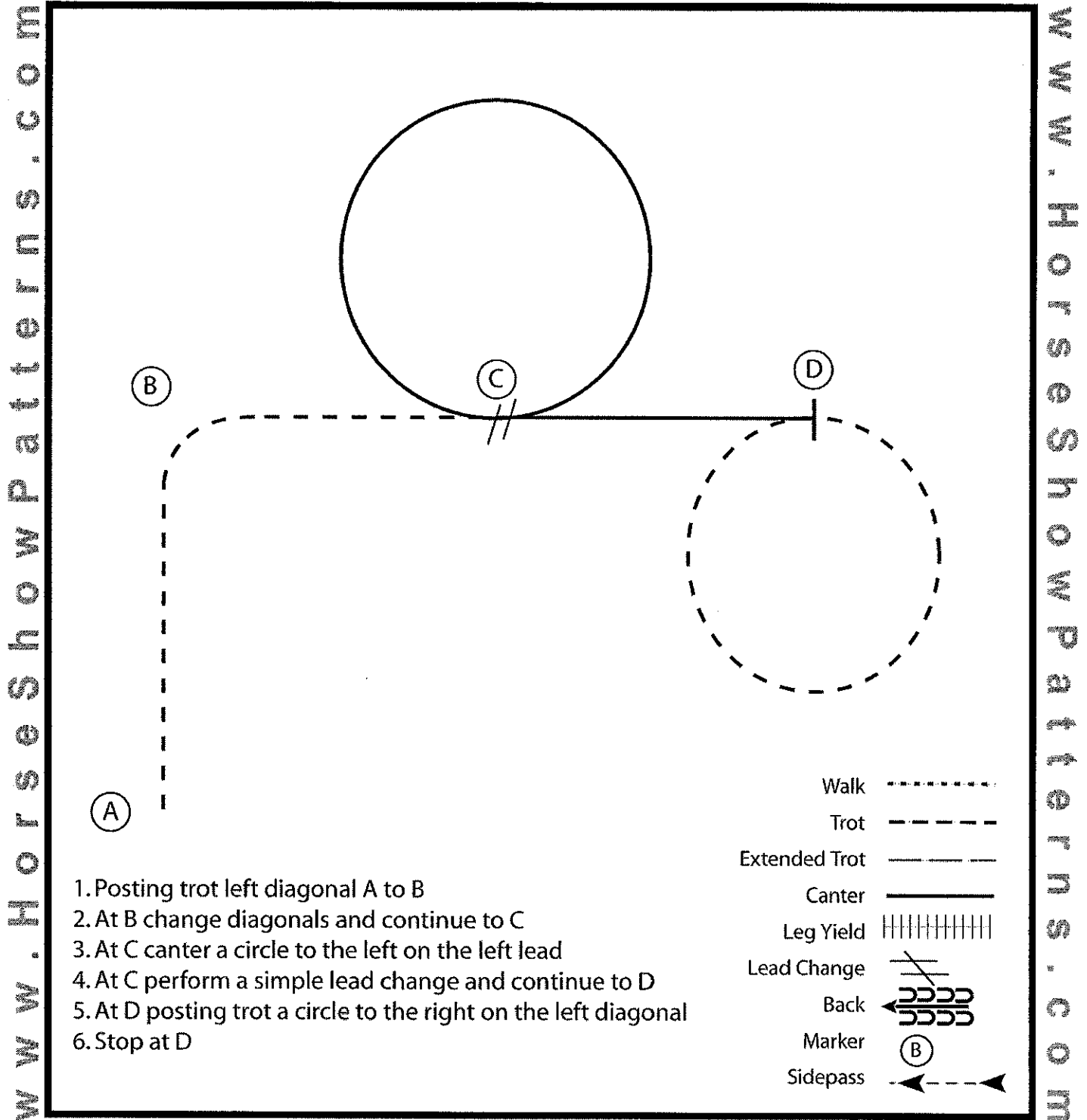


**Patterns Provided by:**  
*BCYF Equine Committee*

# Berrien County Youth Fair

## Saddle Seat Equitation - 1090 - 1091 (Sr Exhibitor)

Show Date: 2019



[HSE/2-27]

Pattern Provided by:  
*BCYF Equine Committee*

# Berrien County Youth Fair

Hunt Seat Equitation- 1094-1095-1096 (Sr. Exhibitor)

Show Date: 2019

www.HorseShowPatterns.com

www.HorseShowPatterns.com

Be ready at A.

1. Walk two horse lengths then posting trot on the left diagonal past the center of the arena.
2. Stop and back approximately two horse lengths.
3. Perform a 90 degree turn on the forehand to the left.
4. Canter a circle on the right lead.
5. Perform a simple or flying lead change.
6. Canter on the left lead.
7. Posting trot on the right diagonal then walk two horse lengths. Pattern is complete, exit at a sitting trot.

|               |        |
|---------------|--------|
| Walk          | .....  |
| Trot          | -----  |
| Extended Trot | -----  |
| Canter        | —————  |
| Leg Yield     |        |
| Lead Change   | ↘↙     |
| Back          | ⤵⤴     |
| Marker        | ⓑ      |
| Sidepass      | -----> |
| Hand Gallop   | —————> |

[HSE/2-82]

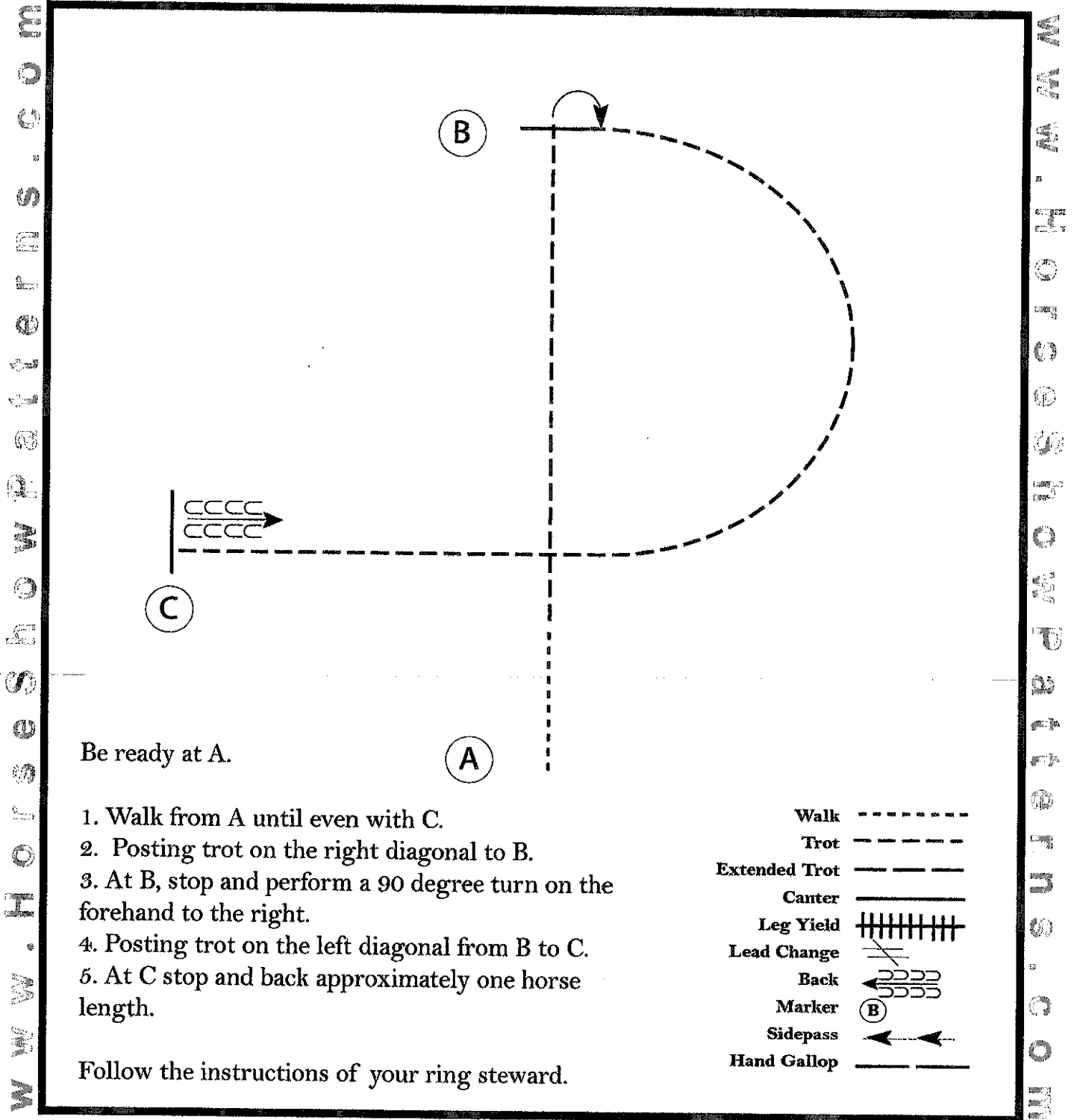
Pattern Provided by:

*BCYF Equine Committee*

# Berrien County Youth Fair

English Equitation-Walk/Trot - 1097-1119-1128-1133 (Jr & Sr Exhibitor)

Show Date: 2019



[HSE/WT-30]

Pattern Provided by:

**BCYF Equine Committee**

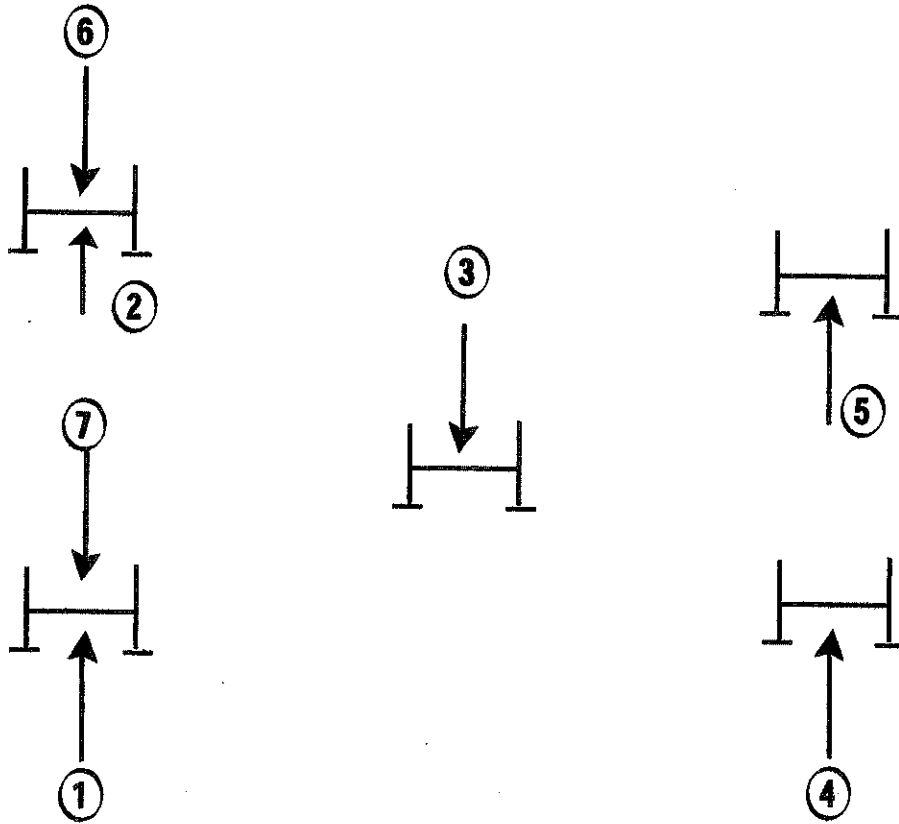
# Berrien County Youth Fair

## In-Hand Jumping - (Jr & Sr Exhibitors)

Show Date: 2019

w w w . H o r s e S h o w P a t t e r n s . c o m

w w w . H o r s e S h o w P a t t e r n s . c o m



Pattern Provided by:

*BCYF Equine Committee*

[MHP/H-7]

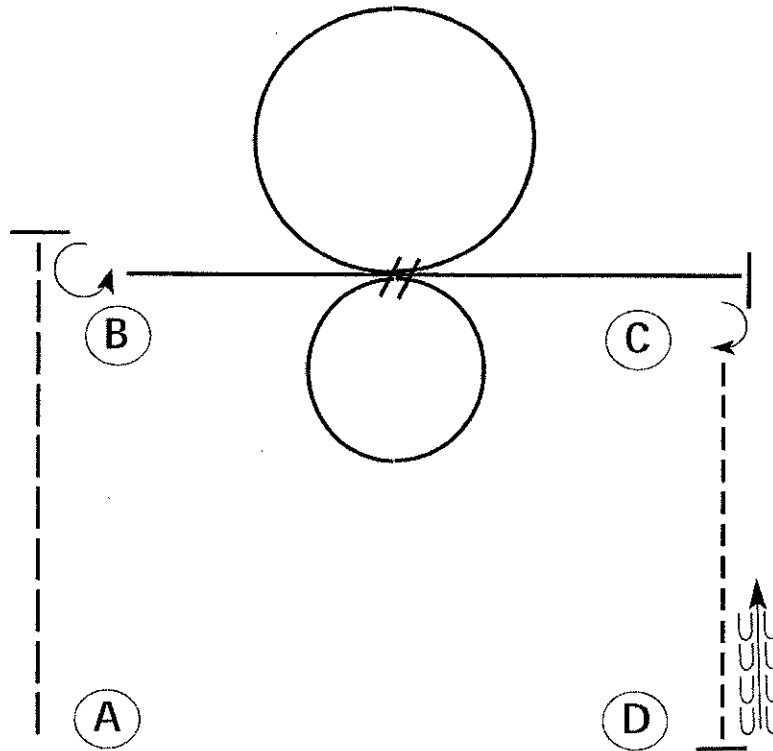
# Berrien County Youth Fair

Horsemanship - 1176-1177-1178 (Sr. Exhibitor)

Show Date: 2019

www.HorseShowPatterns.com

www.HorseShowPatterns.com



Be ready at A.

1. Extended trot from A past B.
2. Stop past B and perform a 270 degree turn to the left.
3. Lope on the right lead halfway to C.
4. Perform a small, slow circle to the right.
5. Change leads and perform a large, fast circle to the left.
6. Continue to lope past C and stop.
7. Perform a 1/4 turn to the right.
8. Jog to D.
9. Stop and back approximately one horse length.

Follow the instructions of your ring steward.

|              |           |
|--------------|-----------|
| Walk         | -----     |
| Jog          | - - - - - |
| Extended Jog | - - - - - |
| Lope         | —————     |
| Lead Change  |           |
| Back         |           |
| Marker       | (B)       |

[WH/2-88]

Pattern Provided by:

*BCYF Equine Committee*

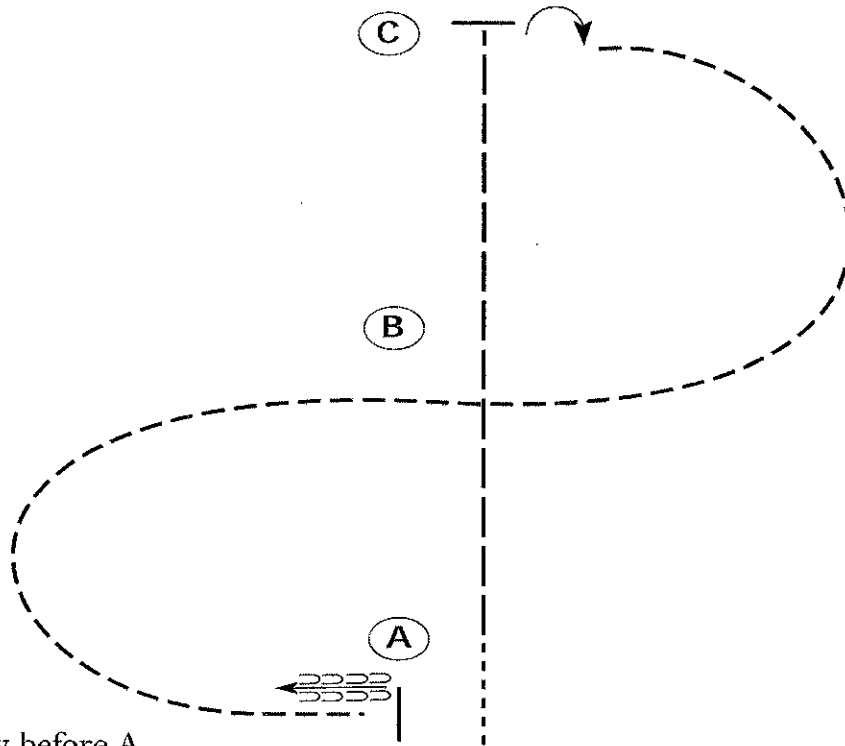
# Berrien County Youth Fair

Horsemanship - Walk/Trot - 1179-1200-1205-1210 (Jr & Sr Exhibitor)

Show Date: 2019

www.HorseShowPatterns.com

www.HorseShowPatterns.com



Be ready before A.

1. Walk to A.
2. Perform an extended jog from A to C.
3. Stop at C and turn 90 degrees to the right.
4. Jog half a circle to B.
5. Continue at a jog in a half circle to A.
6. Stop at A and back approximately one horse length.

Follow the instructions of your ring steward.

|              |           |
|--------------|-----------|
| Walk         | -----     |
| Jog          | - - - - - |
| Extended Jog | - - - - - |
| Lope         | —————     |
| Leg Yield    |           |
| Lead Change  | — / —     |
| Back         | ← ← ← ← ← |
| Marker       | ⊙ B       |
| Sidepass     | ← ← ← ← ← |

[WH/WT-30]

Pattern Provided by:

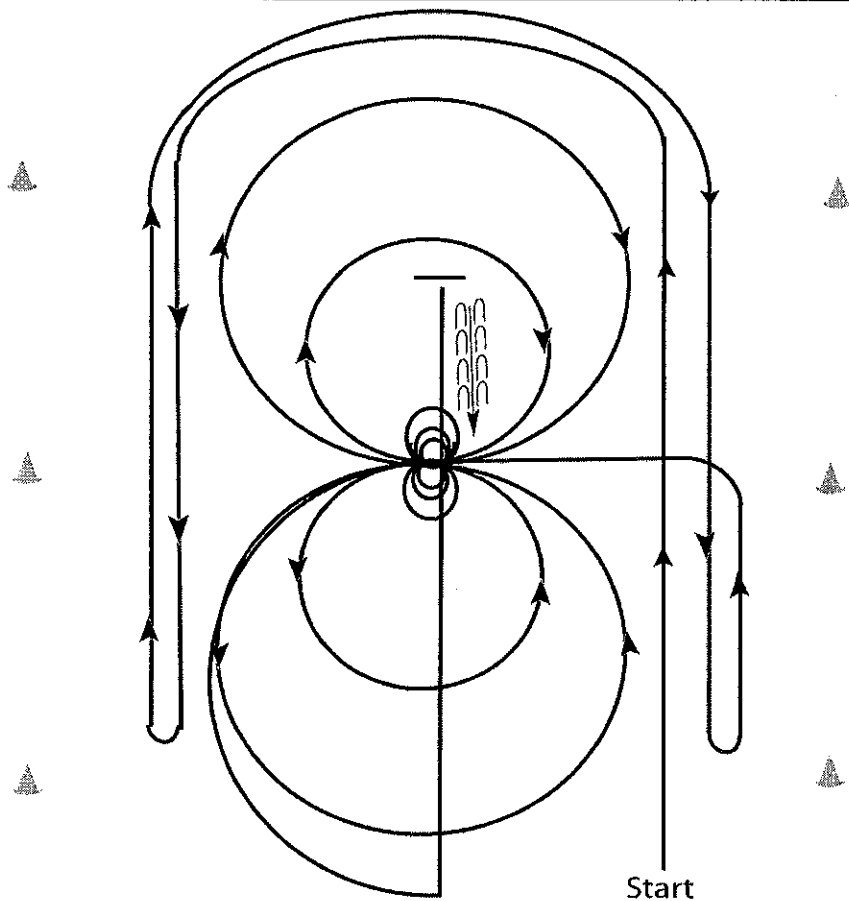
*BCYF Equine Committee*



# Berrien County Youth Fair

## Reining - 1224 (Sr. Exhibitor)

Show Date: 2019



1. Beginning, lope straight up the right side of the arena, circle the top of the arena, run straight down the opposite or left side of the arena past the center mark and do a right rollback - no hesitation.
2. Continue straight up the left side of the arena circle back around the top of the arena run straight down the right side of the arena past the center marker and do a left rollback - no hesitation.
3. Continue up the right side of the arena to the center marker, at the center marker horse should be on the left lead and complete two circles to the left, one large fast and one small slow. Stop at center. Hesitate.
4. Complete three spins to the left. Hesitate.
5. Complete two circles to the right, one large fast and one small slow. Stop at center. Hesitate.
6. Complete three spins to the right. Hesitate.
7. Begin a large fast circle to the left, do not close this circle. Continue up the center of the arena past the center marker and do a sliding stop.
8. Back up at least ten feet. Hesitate to demonstrate completion of pattern.

[R/NRHAP-13]

Pattern Provided by:

*BCYF Equine Committee*

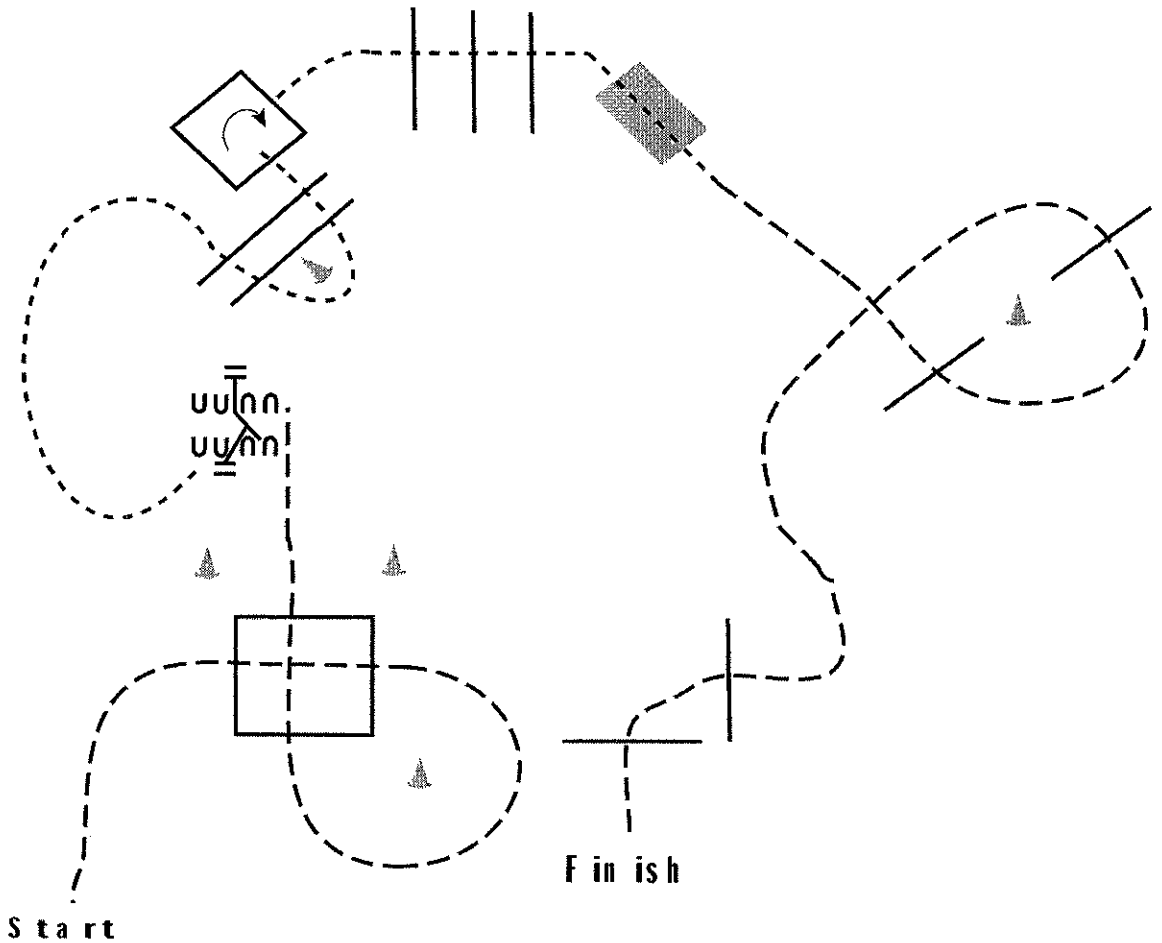
# Berrien County Youth Fair

In-Hand Trail- Under 56"/Horse - 1231-1232 (Sr. Exhibitor)

Show Date: 2019

w w w . H o r s e S h o w P a t t e r n s . c o m

w w w . H o r s e S h o w P a t t e r n s . c o m



1. Trot through box to gate
2. Left hand push gate
3. Walk over elevated poles and into box
4. 1/4 turn to the right in the box
5. Walk over poles and over bridge
6. Trot over poles and to finish

|              |           |
|--------------|-----------|
| Walk         | -----     |
| Jog          | - - - - - |
| Extended Jog | - - - - - |
| Lope         | _____     |
| Leg Yield    |           |
| Lead Change  | —/—       |
| Back         | ←←←←←     |
| Marker       | (B)       |
| Sidepass     | ←←←←←     |

[T/1-5]

Pattern Provided by:  
**BCYF Equine Committee**

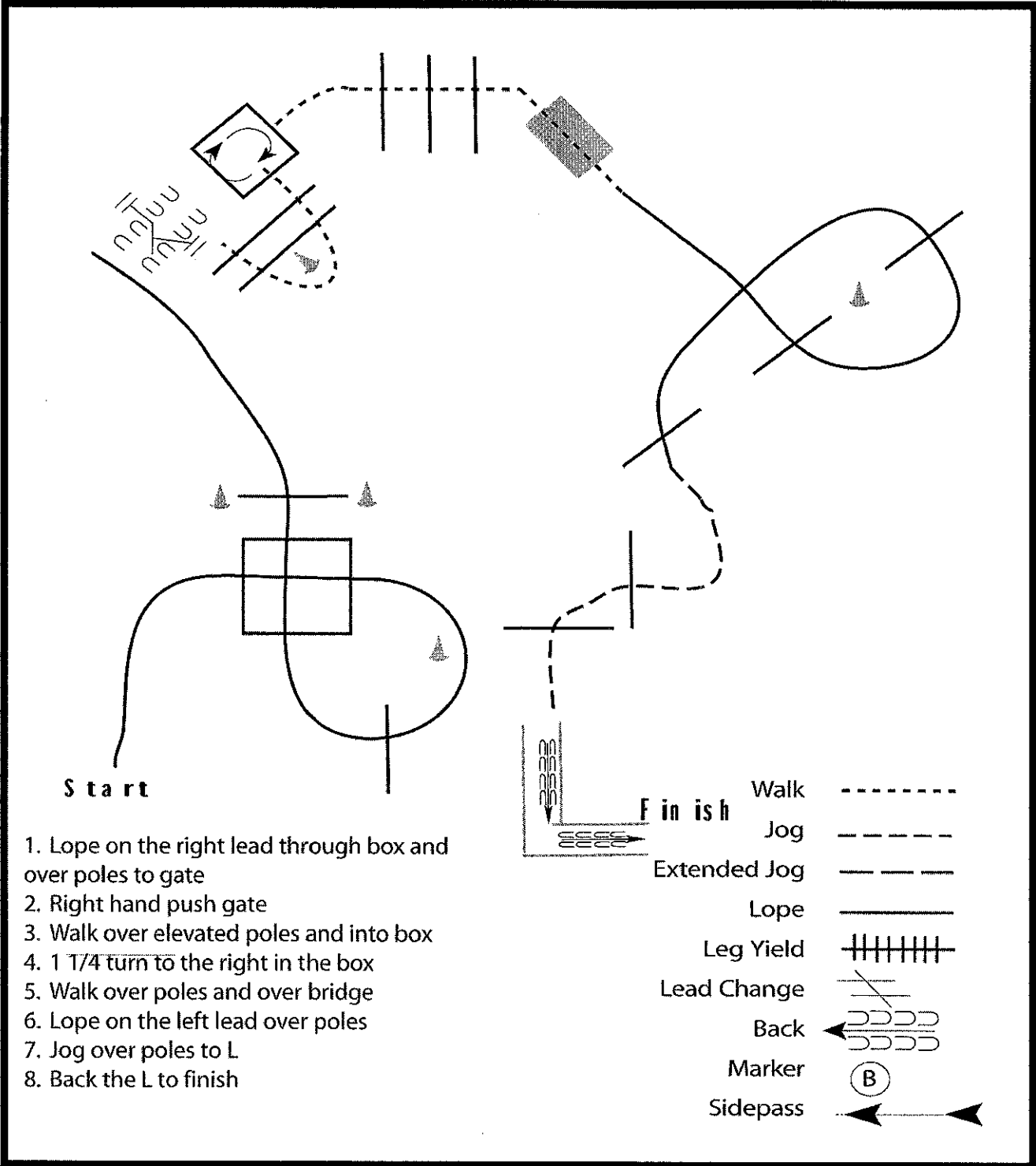
# Berrien County Youth Fair

Trail - 1235-1236-1237 (Sr. Exhibitor)

Show Date: 2019

www.HorseShowPatterns.com

www.HorseShowPatterns.com



1. Lope on the right lead through box and over poles to gate
2. Right hand push gate
3. Walk over elevated poles and into box
4. 1 T/4 turn to the right in the box
5. Walk over poles and over bridge
6. Lope on the left lead over poles
7. Jog over poles to L
8. Back the L to finish

[T/2-11]

**Pattern Provided by:**  
*BCYF Equine Committee*